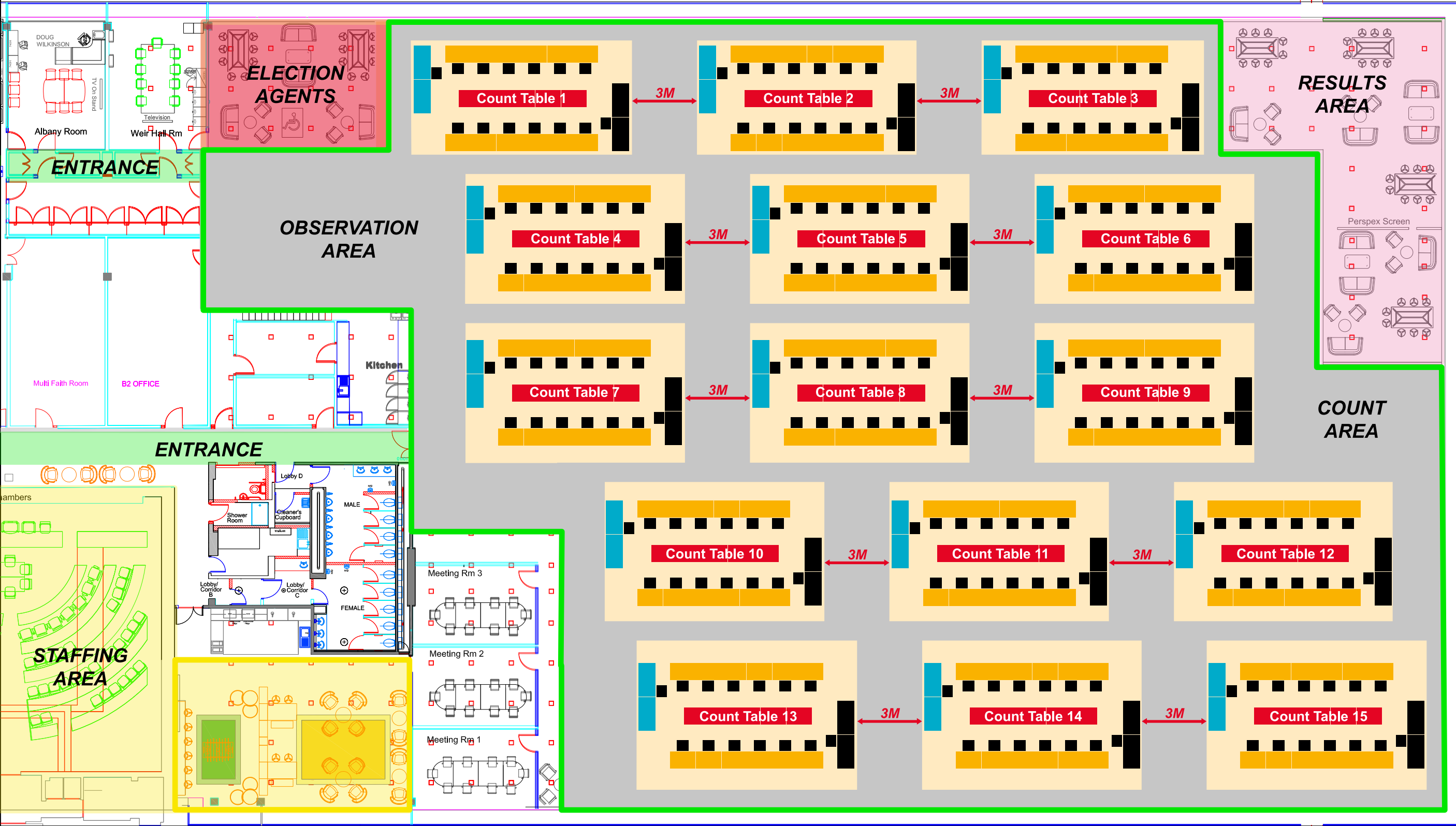


- NOTES**
1. Do not scale from this drawing, check dimensions on site.
 2. Building outline taken from drawings provided.
 3. Subject to statutory approval.
 4. Subject to site survey.



GENERAL KEY

- Ward Count Tables
- Ballot Box Tables
- Supervisor Tables
- DRO/Adjudication Tables
- Observation Area
- Main Entrance To The Count

WARD ALLOCATION INFORMATION

Wards will be pre-allocated to a Count Table and once one ward has finished the count, the next ward to be counted is allocated. This ward count schedule will be provided in advance to all candidates and agents in their 'Count Information Pack'.

**CIVIC CENTRE
B' BLOCK SOUTH PLAN**

LEGENDS

REV	DESCRIPTION	BY	DATE
ISSUE STATUS INFORMATION			
ENFIELD COUNCIL		Civic Centre Silver Street Enfield EN1 3XY	
TEAM LBE	PROJECT NAME		
PROJECT LOCATION	ENFIELD		
PROJECT NO.	ENFIELD		
MASTER			
DRAWN BY	DATE	CHECKED BY	DATE
	18/11/2021	RAS	DD.MMY
DRAWING TITLE			
CIVIC CENTRE FIRST FLOOR MASTER			
PROJ NO: P250_CC_01_BBlock North_PropM			
SHEET: 1 of 1	SCALE	NTS	A3